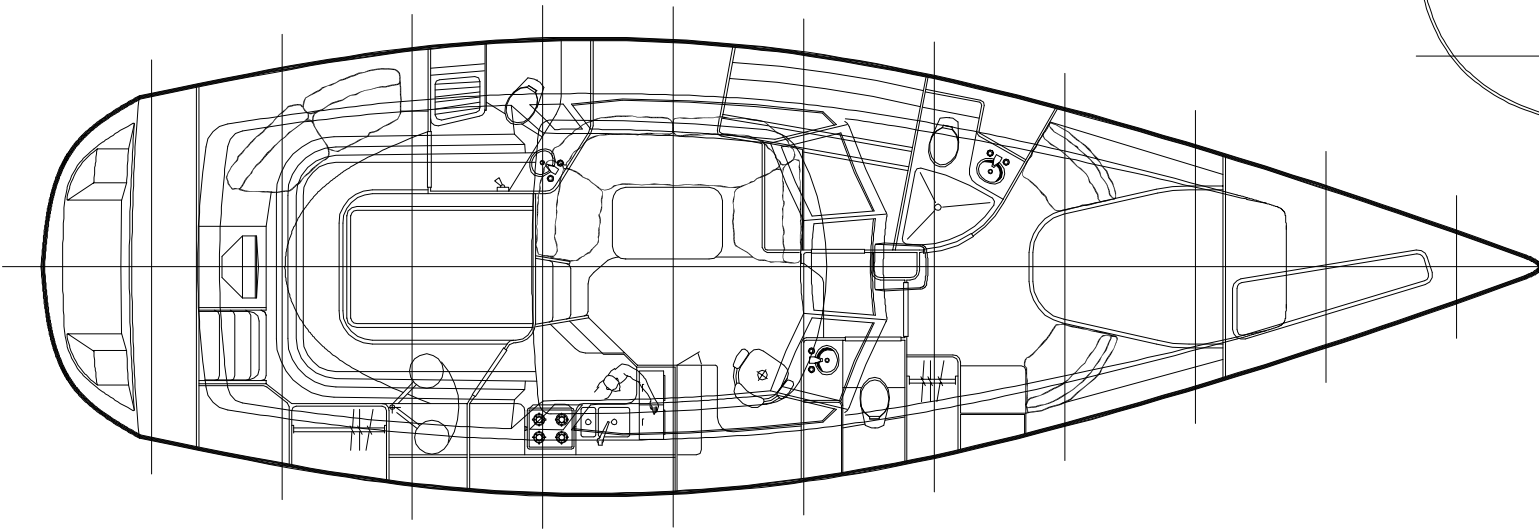
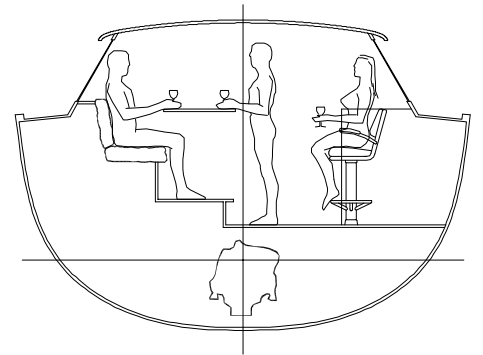
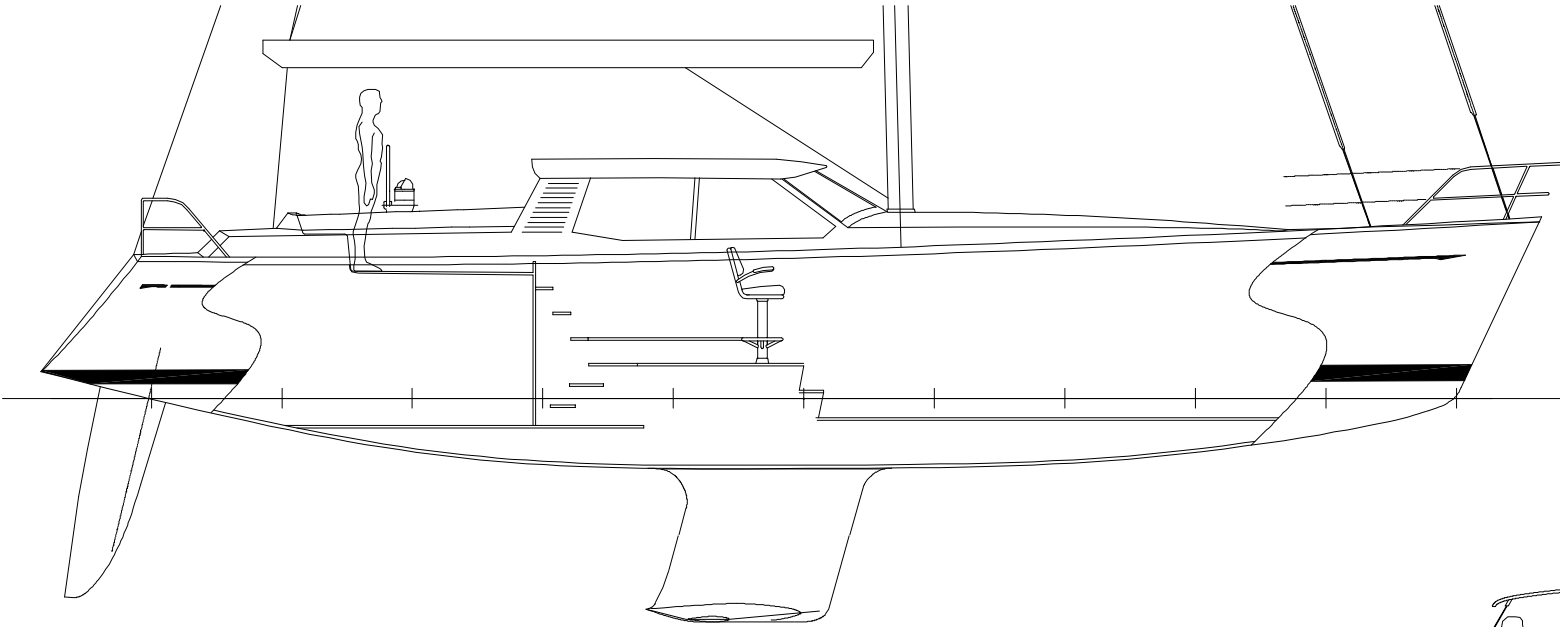


COPYRIGHT



BRUCE FARR® AND ASSOC., INC.
P.O. BOX 4964 ANNAPOLIS, MD. 21403, U.S.A.

50 ft PILOT HOUSE CRUISING YACHT

© MAY 27 1997

SCALE NOT TO SCALE DESIGN No. 373

TITLE PROMINT DRAWING No. 1