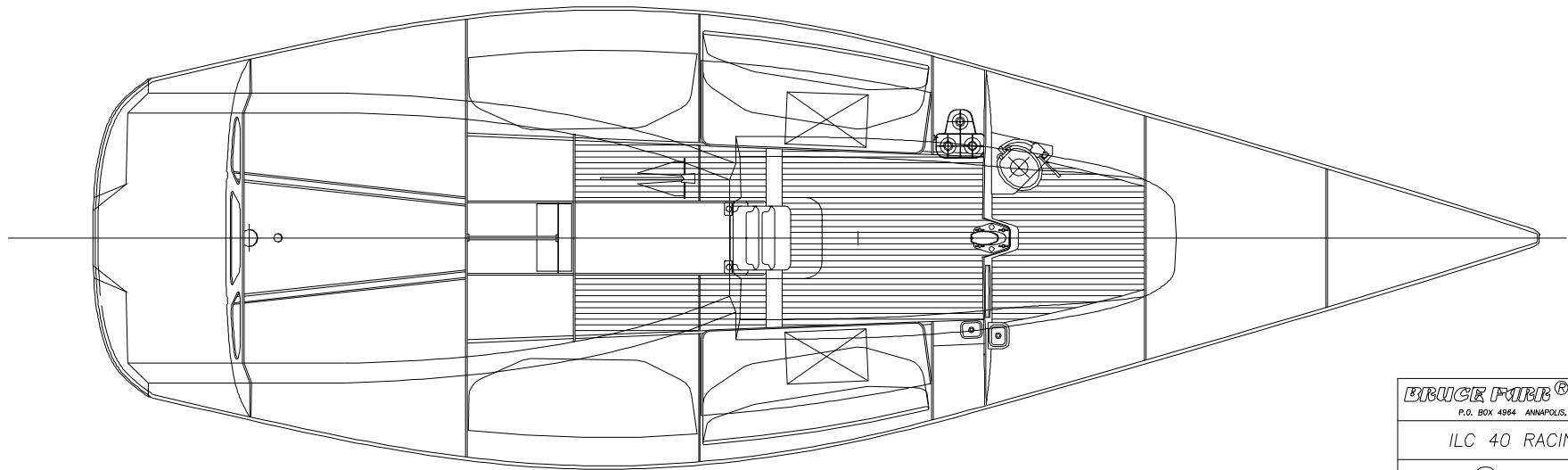
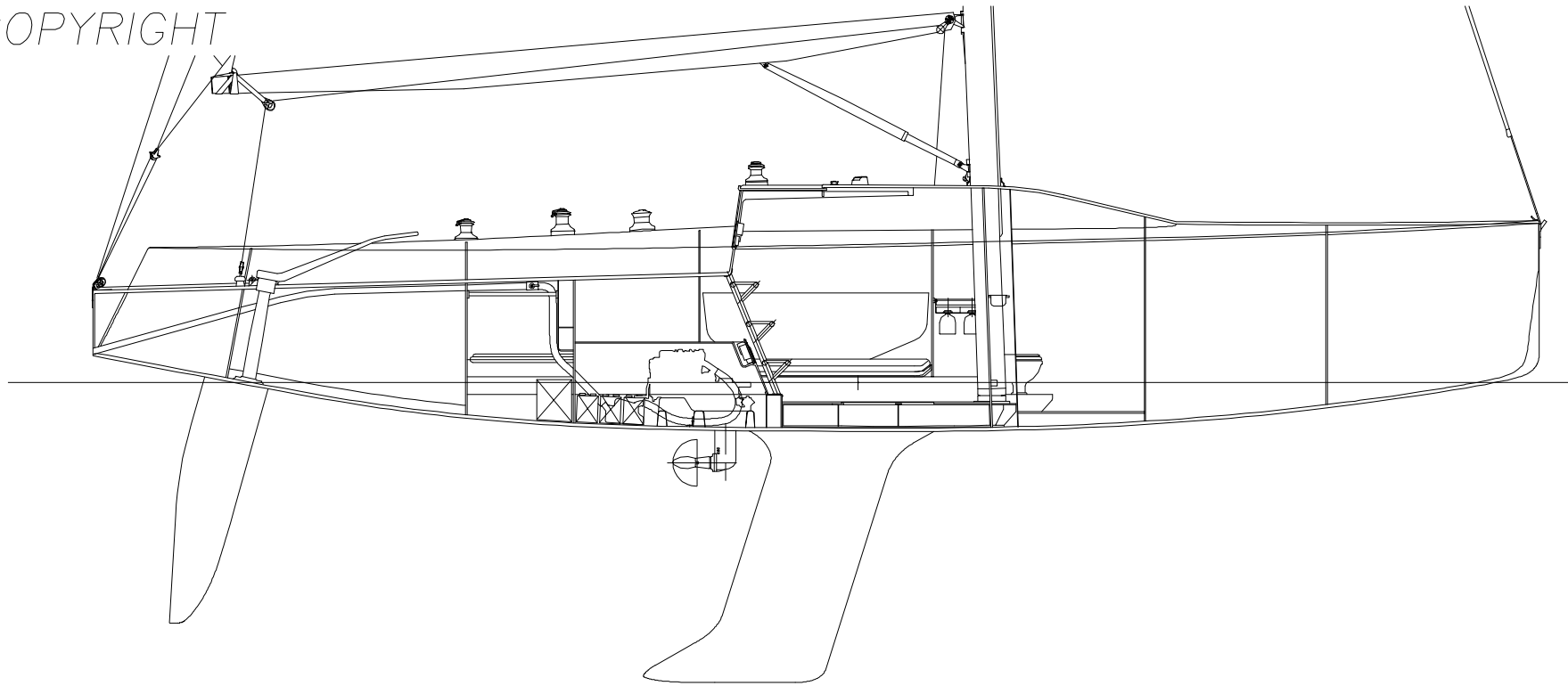


COPYRIGHT



BRUCE PEARL® AND ASSOC., INC.
P.O. BOX 4964 ANNAPOLIS, MD. 21403, U.S.A.

ILC 40 RACING YACHT

© 5-16-97

SCALE	NOT TO SCALE	DESIGN No.	412
TITLE	PROMOTIONAL INTERIOR	DRAWING No.	PROMINT