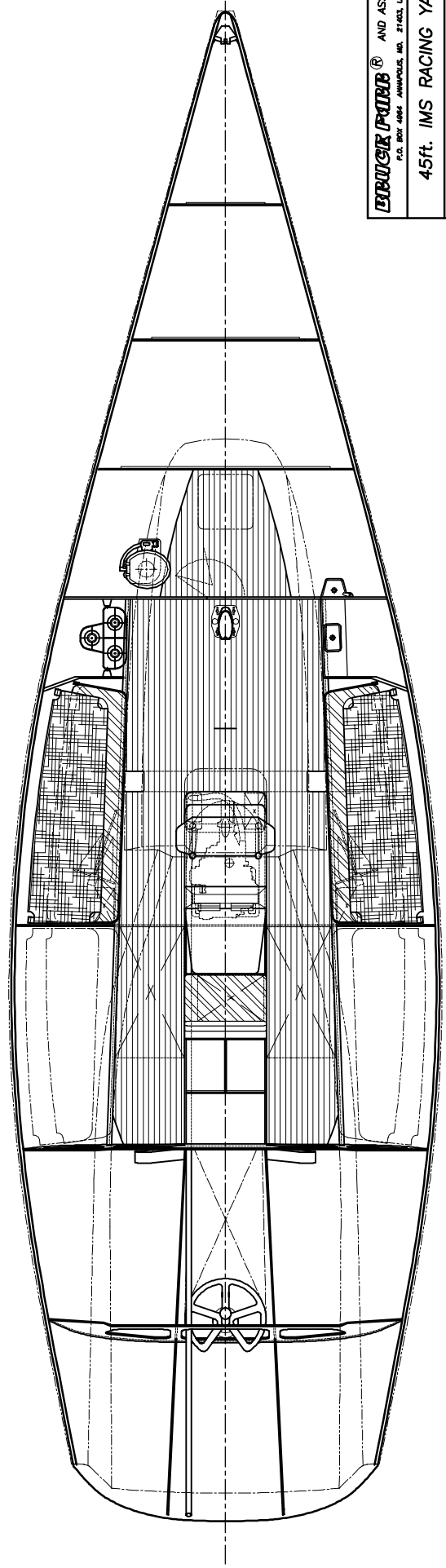
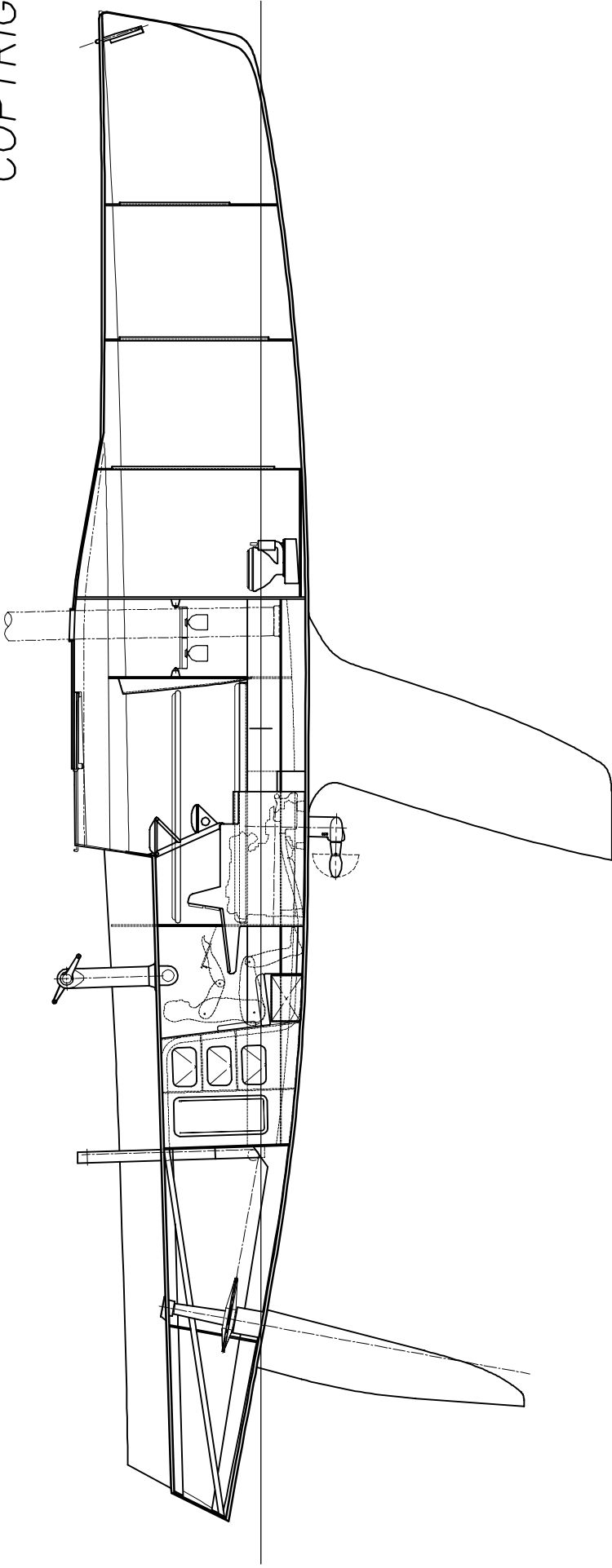


COPYRIGHT



**BRUCE PERE**® AND ASSOC., INC.  
P.O. BOX 486 AMHERST, MA 01002, U.S.A.

**45ft. IMS RACING YACHT**

© 12-15-97

SCALE: NOT TO SCALE    DESIGN NO.: 418  
TITLE: PROMO INTERIOR    DRAWING NO.: PROMINT